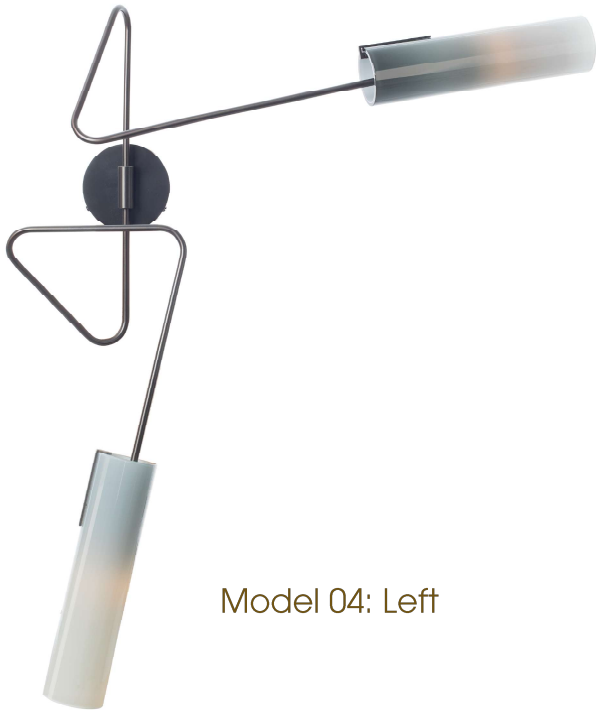
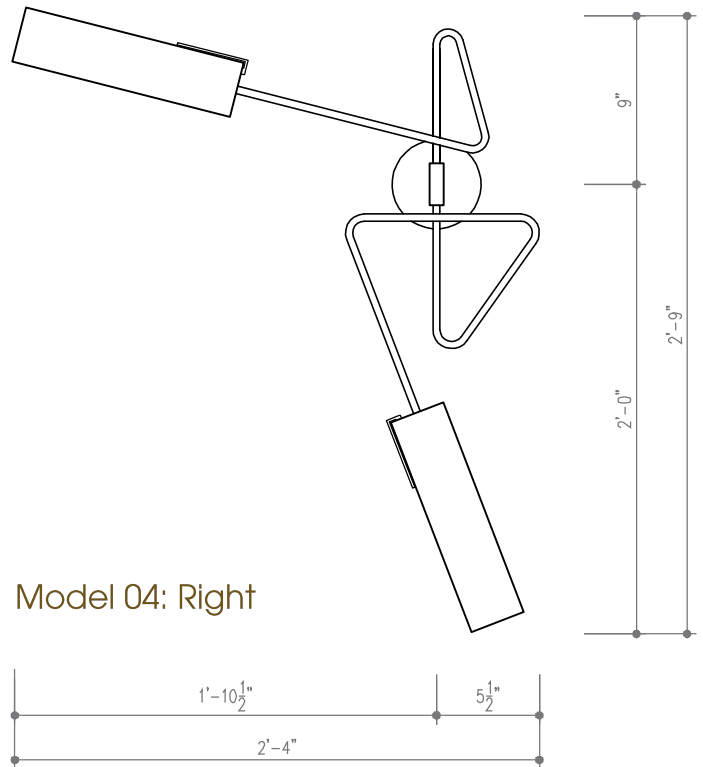


Continuum Sconce Model 04

All sconces are available right or left handed.



Model 04: Left



Model 04: Right

Materials

Structure: Brass.

Metal finishes: brushed Brass, antique Brass, satin Nickel, Pewter, and oil-rubbed Bronze.

Glass shades: standard colors are white, aqua, light gray, slate, topaz, and charcoal. Custom colors are available, please contact the studio for more information.

Dimensions:

Model 04: 33" high, 28" wide, 8-24" deep

Lamping:

One 4W G9 2700K dimmable LED bulb per shade (40W incandescent equivalent) 120V or 240V.

UL Listed

AVRAM
RUSU STUDIO

810 Humboldt Street
Suite 2C
Brooklyn NY 11222
tel 718 389 0350

info@avramrusu.com
www.avramrusu.com

Continuum Sconce Metal Finishes



satin Brass



antique Brass



satin Nickel

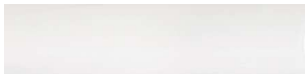


Pewter



oil-rubbed Bronze

Continuum Sconce Glass Colors



white



aqua



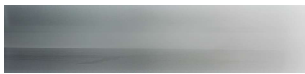
light grey



slate to white fade



topaz



charcoal to white fade

AVRAM
RUSU STUDIO

810 Humboldt Street
Suite 2C
Brooklyn NY 11222
tel 718 389 0350

info@avramrusu.com
www.avramrusu.com