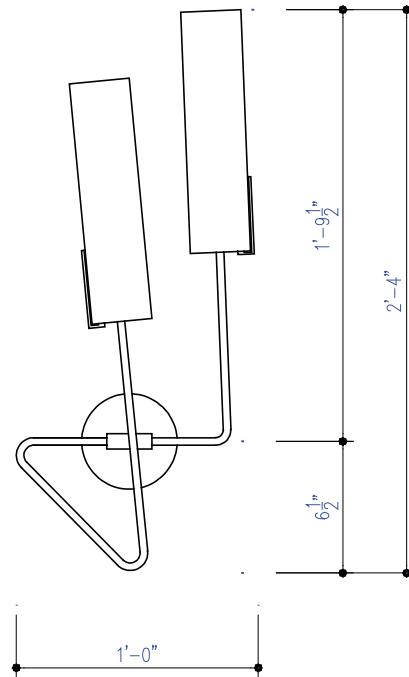


Continuum Sconce Model 01

All sconces are available right or left handed.



Model 01: Left



Model 01: Right

Materials

Hardware: Brass.

Metal finishes: satin Brass, antique Brass, satin Nickel, oil-rubbed Bronze, plus specialty finishes.

Glass shades: hand blown glass in solid colors, stripes and bi-color ombre fades. Refer to glass color guide for standard and specialty colors.

Please contact the studio for more information on custom colors or metal finishes.

Dimensions:

Model 01: 28" high, 12" wide, 7.5" deep

Lamping:

One 3.6 or 5W E12 candelabra base 2700K dimmable LED bulb per shade (40W or 60w incandescent equivalent) 120V or 240V.

UL Listed

AVRAM
RUSU STUDIO

810 Humboldt Street
Suite 2C
Brooklyn NY 11222
tel 718 389 0350

info@avramrusu.com
www.avramrusu.com

Continuum Sconce Glass and Metal Finishes

Standard Glass Colors



white



taupe



slate ombre



light gray



aqua



charcoal ombre

Specialty Glass Colors

Solids



pink



lavender

Stripes



cafe au lait



slate

Ombre



raisin ombre



sage ombre

Each color has a range of tones, particularly for ombre shades. All colors will vary somewhat with no two shades being exactly alike.

Standard Metal Finishes



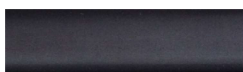
satin Brass



satin Nickel



antique Brass



oil-rubbed Bronze

Our Brass hardware is hand finished and clear coated to prevent tarnish. Please contact the studio for more information on custom colors or metal finishes.

AVRAM
RUSU STUDIO

810 Humboldt Street
Suite 2C
Brooklyn NY 11222

tel 718 389 0350

info@avramrusu.com
www.avramrusu.com